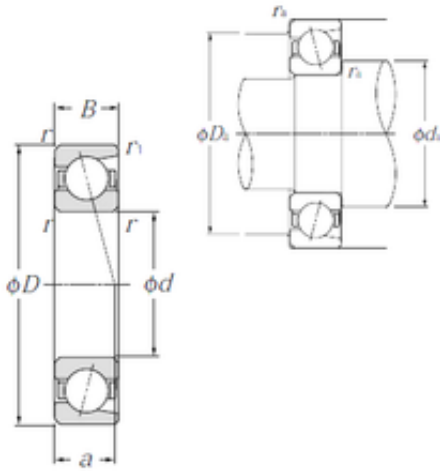




YNR Bearings Co., Ltd.

30 mm x 72 mm x 19 mm NTN 7306B Angular contact ball bearing



Bearing No. 7306B

7306B Bearing 2D drawings and 3D CAD models

Size	30x72x19 mm
Bore Diameter	30 mm
Outer Diameter	72 mm
Width	19 mm
d	30 mm
D	72 mm
B	19 mm
C	19 mm
Angle (°)	40 °
a	31,5 mm
r min.	1,1 mm
r1 min.	0,6 mm
da min.	37 mm
db min	34,5 mm
ra max.	1 mm
Weight	0,352 Kg
Basic dynamic load rating (C)	31 kN
Basic static load rating (C0)	20,5 kN
(Grease) Lubrication Speed	9 600 r/min
Contact angle	40 °
rs min	1.1 mm
r1s min	0.6 mm
Mass	0.35 kg
Dynamic load, C	31 kN
Static load, C0	20.5 kN



YNR Bearings Co., Ltd.

Fatigue limit load, Cu	0.93 kN
Nlim (oil)	13,000 rpm
Nlim (grease)	9,600 rpm
Min operating temperature, Tmin	-40 ° C
Max operating temperature, Tmax	120 ° C
Characteristic cage frequency, FTF	0.41 Hz
Characteristic rolling element frequency, BSF	4.24 Hz
Characteristic outer ring frequency, BPF0	5.36 Hz
Characteristic inner ring frequency, BRFI	7.64 Hz
da min	37 mm
Da max	65 mm
Db max	67.5 mm
r1a max	0.6 mm
ra max	1 mm
Category	Angular Contact Ball Bearings
Inventory	6.0
Manufacturer Name	NTN
Minimum Buy Quantity	N/A
Weight / Kilogram	0.357
EAN	4547359449174
Product Group	B00308
Enclosure	Open
Flush Ground	No
Rolling Element	Ball Bearing
Number of Rows of Balls	Single Row
Precision Class	ABEC 1 ISO P0
Maximum Capacity / Filling Slot	No



YNR Bearings Co., Ltd.

Snap Ring	No
Cage Material	Steel
Contact Angle	40 Degree
Internal Clearance	C0-Medium
Number of Bearings	1 (Single)
Inch - Metric	Metric
Long Description	30MM Bore; 72MM Outside Diameter; 19MM Width; Open; No Flush Ground; Ball Bearing; Single Row of Balls; ABEC 1 ISO P0; No Filling Slot; No Snap Ring
Category	Angular Contact Ball Bearing
UNSPSC	31171531
Harmonized Tariff Code	8482.10.50.28
Noun	Bearing
Keyword String	Angular Contact
Manufacturer URL	http://www.ntnamerica.com
Manufacturer Item Number	7306B
Weight / LBS	0.789
Width	0.748 Inch 19 Millimeter
Outside Diameter	2.835 Inch 72 Millimeter
Bore	1.181 Inch 30 Millimeter
bore diameter:	30 mm
radial static load capacity:	20500 N
outside diameter:	72 mm
operating temperature range:	-40 to 120 ° C
overall width:	19 mm
cage material:	Steel
contact angle:	40 °
outer ring width:	19 mm



YNR Bearings Co., Ltd.

row type & fill slot:	Single-Row Non-Fill Slot
maximum rpm:	13000 rpm
internal clearance:	C0
finish/coating:	Uncoated
bore type:	Round
precision rating:	ISO Class 0
closure type:	Open
fillet radius:	1.1 mm
snap ring included:	Without Snap Ring
series:	73B
bearing material:	High Carbon Chrome Steel
weight:	0.357 kg
radial dynamic load capacity:	31000 N
manufacturer product page:	Click here