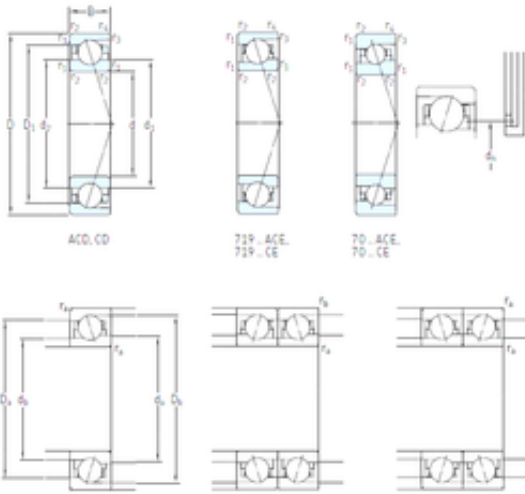




YNR Bearings Co., Ltd.



12 mm x 28 mm x 8 mm SKF 7001 ACD/HCP4A Angular contact ball bearing

Bearing No. 7001 ACD/HCP4A

7001 ACD/HCP4A Bearing 2D drawings and 3D CAD models

Size	12x28x8 mm
Bore Diameter	12 mm
Outer Diameter	28 mm
Width	8 mm
d	12 mm
D	28 mm
B	8 mm
C	8 mm
d1	17,1 mm
d2	17,1 mm
r1 min.	0,3 mm
r2 min.	0,3 mm
r3 min.	0,2 mm
r4 min.	0,2 mm
D1	22,9 mm
D2	25,5 mm
da min.	14 mm
Da max.	26 mm
db min	14 mm
ra max.	0,3 mm
rb max.	0,2 mm
dh	18 mm
Db max	26,6 mm
Weight	0,018 Kg
Basic dynamic load rating (C)	4,36 kN



YNR Bearings Co., Ltd.

Basic static load rating (C0)	1,83 kN
(Grease) Lubrication Speed	70 000 r/min
(Oil) Lubrication Speed	110 000 r/min
Fatigue load limit (Pu)	0,078
d ₁	17.1 mm
d ₂	17.1 mm
D ₁	22.9 mm
r _{1,2} min.	0.3 mm
r _{3,4} min.	0.2 mm
a	8.7 mm
d _a min.	14 mm
d _b min.	14 mm
D _a max.	26 mm
D _b max.	26.6 mm
r _a max.	0.3 mm
r _b max.	0.2 mm
d _n	18 mm
Basic dynamic load rating C	4.36 kN
Basic static load rating C ₀	1.83 kN
Fatigue load limit P _u	0.078 kN
Attainable speed for grease lubrication	70000 r/min
Attainable speed for oil-air lubrication	110000 r/min
Ball diameter D _w	4.762 mm
Number of balls z	10
Reference grease quantity G _{ref}	0.27 cm ³
Preload class A G _A	25 N
Static axial stiffness, preload class A	38 N/ μ m
Preload class B G _B	50 N
Static axial stiffness, preload class B	49 N/ μ m



YNR Bearings Co., Ltd.

Preload class C G_C	100 N
Static axial stiffness, preload class C	64 N/ μ m
Preload class D G_D	200 N
Static axial stiffness, preload class D	84 N/ μ m
Calculation factor f	1.03
Calculation factor f_1	0.99
Calculation factor f_{2A}	1
Calculation factor f_{2B}	1.02
Calculation factor f_{2C}	1.05
Calculation factor f_{2D}	1.08
Calculation factor f_{HC}	1.02
Calculation factor e	0.68
Calculation factor (single, tandem) Y_2	0.87
Calculation factor (single, tandem) Y_0	0.38
Calculation factor (single, tandem) X_2	0.41
Calculation factor (back-to-back, face-to-face) Y_1	0.92
Calculation factor (back-to-back, face-to-face) Y_2	1.41
Calculation factor (back-to-back, face-to-face) Y_0	0.76
Calculation factor (back-to-back, face-to-face) X_2	0.67
Mass bearing	0.018 kg