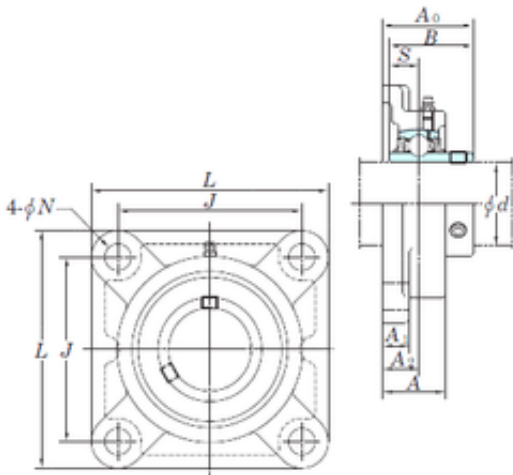




YNR Bearings Co., Ltd.

KOYO UCFX10-32E Bearing unit

Bearing No. UCFX10-32E



UCFX10-32E Bearing 2D drawings and 3D CAD models

Bore Diameter	50,8 mm
d	50,8 mm
A0	59,4 mm
A	44 mm
A1	20 mm
B	55,6 mm
J	130 mm
L	162 mm
N	16,5 mm
S	22,2 mm
Bolt (G)	9/16
A2	26 mm
Weight	3,7 Kg
Basic dynamic load rating (C)	43,4 kN
Basic static load rating (C0)	29,4 kN