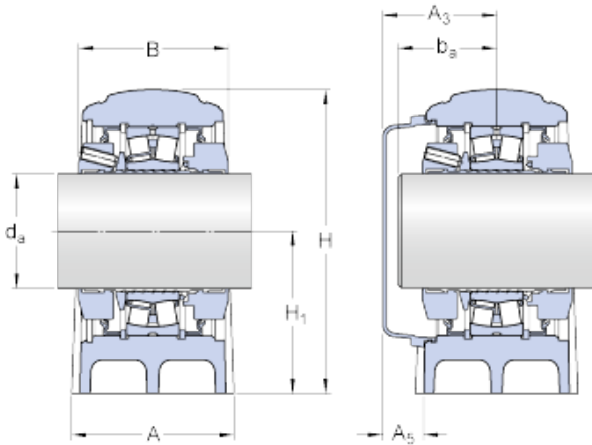




YNR Bearings Co., Ltd.



SKF SYNT 50 FW Bearing unit

Bearing No. SYNT 50 FW

Size	50x70x65 mm
Bore Diameter	50 mm
Outer Diameter	70 mm
Width	65 mm
d_a	50 mm
A	70 mm
B	65 mm
H	131 mm
H_1	70 mm
H_2	28 mm
J	210 mm
L	255 mm
H	24 mm
N_1	18 mm
J_6	234 mm
J_7	26 mm
N_4 - max.	8 mm
A_3	62 mm
A_5	29.5 mm
b_a - min.	34 mm
b_a - max.	55 mm
Basic dynamic load rating - C	104 kN
Basic static load rating - C_0	108 kN
Fatigue load limit - P_u	11.8 kN

SYNT 50 FW Bearing 2D drawings and 3D CAD models



YNR Bearings Co., Ltd.

Limiting speed	3300 r/min
Calculation factor - e	0.24
Calculation factor - Y_1	2.8
Calculation factor - Y_2	4.2
Diameter - d_m	70 mm
Basic Designation bearing	22210 E
P_a	15 kN
P_{0°	190 kN
P_{55°	330 kN
P_{90°	200 kN
P_{120°	130 kN
P_{150°	115 kN
P_{180°	140 kN
Mass bearing unit	5.8 kg
d_a	50 mm
H_1	70 mm
H_2	28 mm
N	24 mm
N_1	18 mm
A_3	62 mm
A_5	29.5 mm
b_a min.	34 mm
b_a max.	55 mm
J_6	234 mm
J_7	26 mm
N_4 max.	8 mm
Basic dynamic load rating C	104 kN
Basic static load rating C_0	108 kN
Fatigue load limit P_u	11.8 kN
Calculation factor e	0.24
Calculation factor Y_1	2.8



YNR Bearings Co., Ltd.

Calculation factor Y_2	4.2
Bearing mean diameter d_m	70 mm
P_{0°	190 kN
P_{55°	330 kN
P_{90°	200 kN
P_{120°	130 kN
P_{150°	115 kN
P_{180°	140 kN
P_a	15 kN
Attachment bolt diameter G	16 mm
Tightening torque for attachment bolts	200 N · m
Grub screws	3 x M 6
Tightening torque for grub screws	8 N · m