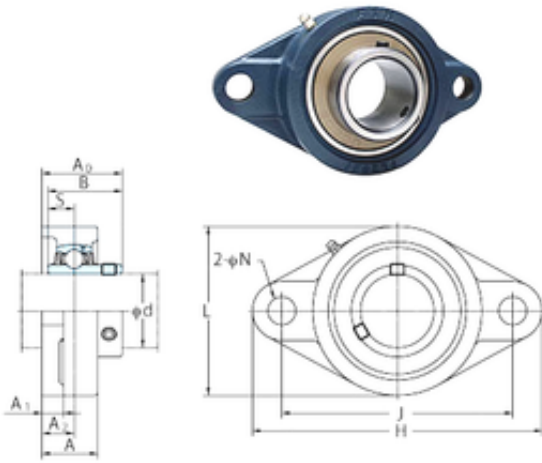




# YNR Bearings Co., Ltd.

## FYH UCFL206 Bearing unit

Bearing No. UCFL206



UCFL206 Bearing 2D drawings and 3D CAD models

Bore Diameter	30 mm
d	30 mm
A0	40,2 mm
A	31 mm
A1	13 mm
B	38,1 mm
H	148 mm
J	117 mm
L	80 mm
N	16 mm
S	15,9 mm
Bolt (G)	13,9
Bolt (G)	M14
A2	18 mm
Weight	0,93 Kg
Basic static load rating (C0)	19,5 kN
Category	Mounted Units & Inserts
Inventory	0.0
Manufacturer Name	FYH BEARING UNITS
Minimum Buy Quantity	N/A
Weight / Kilogram	0
Product Group	M06110