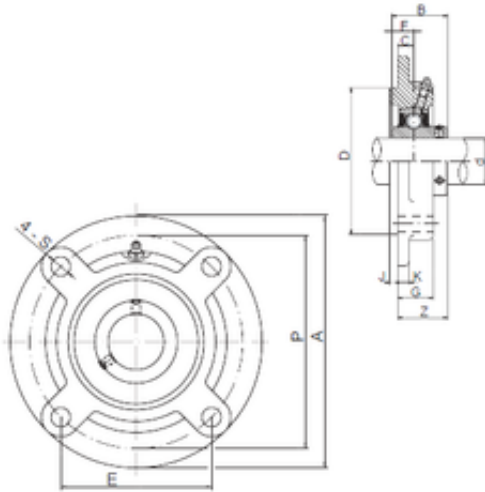




YNR Bearings Co., Ltd.

30 mm x 80 mm x 38,1 mm ISO UCFC206 Bearing unit

Bearing No. UCFC206



UCFC206 Bearing 2D drawings and 3D CAD models

| | |
|---------------|---------|
| Bore Diameter | 30 mm |
| d | 30 mm |
| P | 100 mm |
| Z | 32,2 mm |
| A | 125 mm |
| B | 38,1 mm |
| C | 10 mm |
| D | 80 mm |
| E | 70,7 mm |
| F | 15,9 mm |
| G | 23 mm |
| J | 8 mm |
| K | 8 mm |
| S | 12 mm |
| Bolt (G) | M10 |