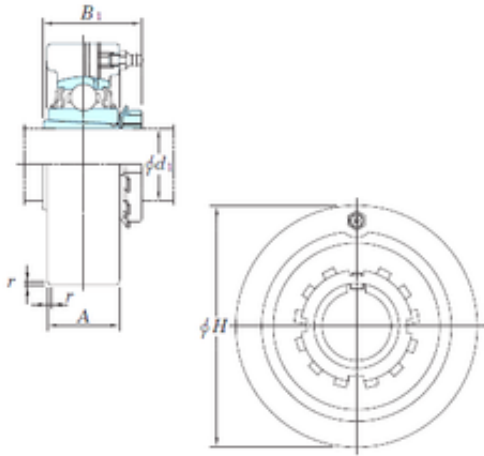




# YNR Bearings Co., Ltd.



## KOYO UKC318 Bearing unit

Bearing No. UKC318

Bore Diameter	80 mm
d	80 mm
r	4 mm
A	66 mm
B1	86 mm
H	225 mm
Weight	13,1 Kg
Basic dynamic load rating (C)	143 kN
Basic static load rating (C0)	107 kN

UKC318 Bearing 2D drawings and 3D CAD models