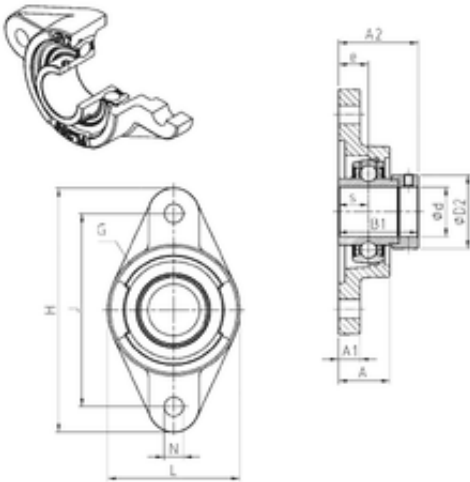




YNR Bearings Co., Ltd.



SNR EXFL213 Bearing unit

Bearing No. EXFL213

Bore Diameter	65 mm
d	65 mm
e	30 mm
s	34,1 mm
A	50 mm
A1	20 mm
B1	85,7 mm
D2	86 mm
H	258 mm
J	210 mm
L	155 mm
N	23 mm
Thread (G)	M6x1
A2	81,6 mm
Weight	5,3 Kg
Basic dynamic load rating (C)	57,2 kN

EXFL213 Bearing 2D drawings and 3D CAD models