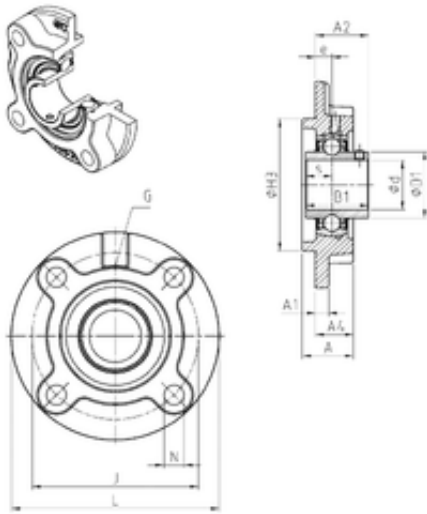




YNR Bearings Co., Ltd.



SNR UCFC209 Bearing unit

Bearing No. UCFC209

Bore Diameter	45 mm
d	45 mm
H3	105 mm
A4	26 mm
e	10 mm
s	19 mm
A	38 mm
A1	10 mm
B1	49,2 mm
D1	57,2 mm
J	132 mm
L	160 mm
N	16 mm
Thread (G)	M6x1
A2	40,2 mm
Weight	2,5 Kg
Basic dynamic load rating (C)	31,85 kN

UCFC209 Bearing 2D drawings and 3D CAD models