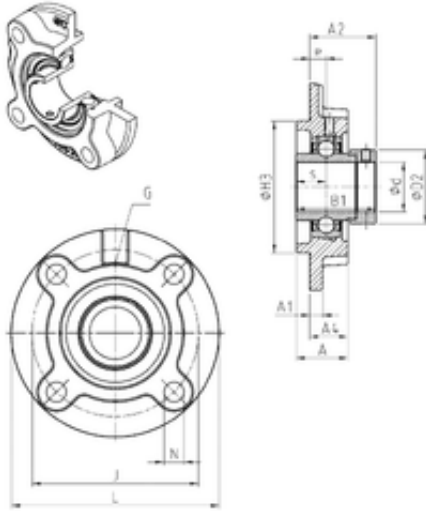




YNR Bearings Co., Ltd.



SNR EXFC210 Bearing unit

Bearing No. EXFC210

Bore Diameter	50 mm
d	50 mm
H3	110 mm
A4	28 mm
e	10 mm
s	24,6 mm
A	40 mm
A1	14 mm
B1	62,7 mm
D2	69,9 mm
J	138 mm
L	165 mm
N	16 mm
Thread (G)	M6x1
A2	48,1 mm
Weight	3,1 Kg
Basic dynamic load rating (C)	35,1 kN

EXFC210 Bearing 2D drawings and 3D CAD models