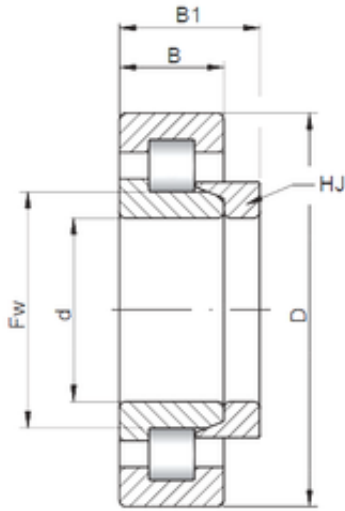




YNR Bearings Co., Ltd.



200 mm x 420 mm x 138 mm ISO NH2340
Cylindrical roller bearing

Bearing No. NH2340

Dimensione	200x420x138 mm
Marchio	ISO
Diametro del foro	200 mm
Diametro esterno	420 mm
Larghezza	138 mm
d	200 mm
D	420 mm
B	138 mm
C	138 mm
B1	18 mm
B2	37 mm

NH2340 Bearing 2D drawings and 3D CAD models